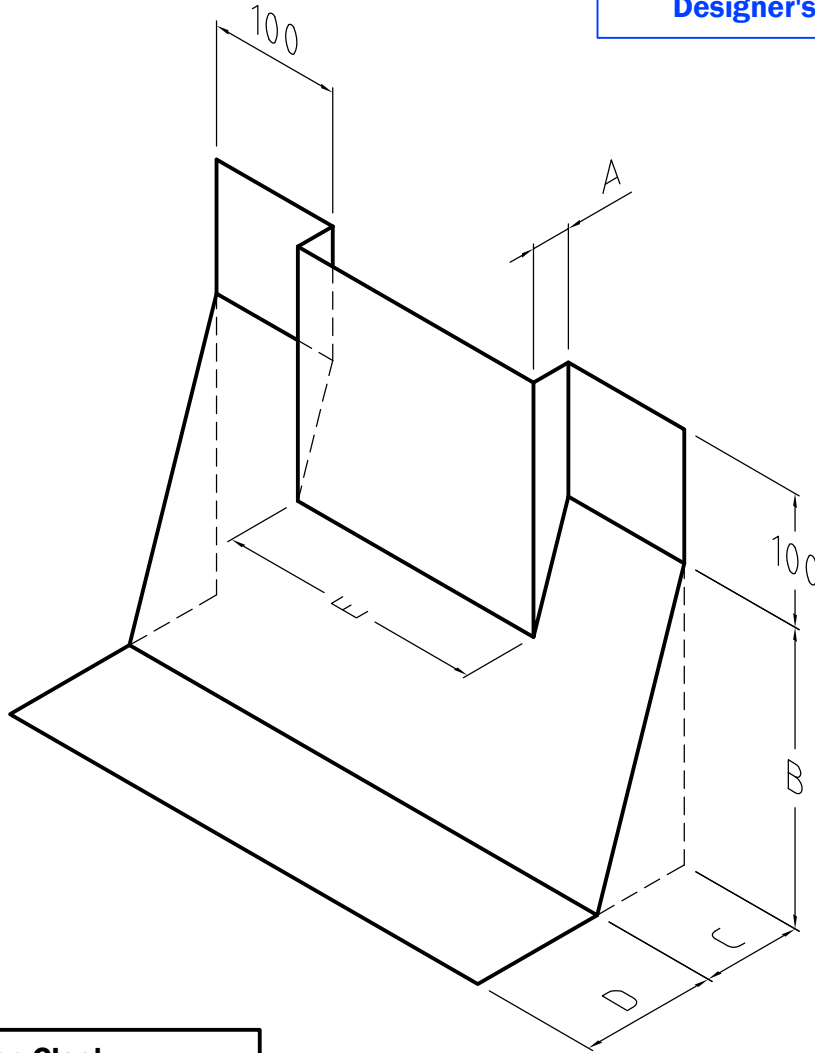


**Detail Issued For Guidance Only,
Designer's Approval Required**



Column Cloak :	
A (Column)	
B (Rise)	
C (Cavity)	
D (Outer)	
E (Column)	
Quantity	

Zedex	
Ultimate	

NB; DO NOT SCALE - USE FIGURED DIMENSIONS ONLY.



Visqueen
 Contact Technical Support :
 t : 0333 202 6800
 f : 0333 202 6886
 e : enquiries@visqueen.com
 www.visqueen.com

Project: Standard Detail : Preformed Column Cloak.

Drawing No.- PFU-531.	Date.- 12/18.	Scale.- NTS.	© COPYRIGHT RESERVED.
-----------------------	---------------	--------------	-----------------------